

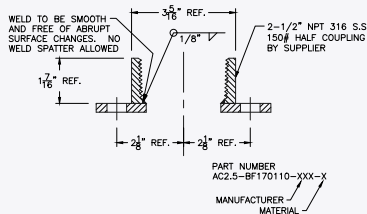
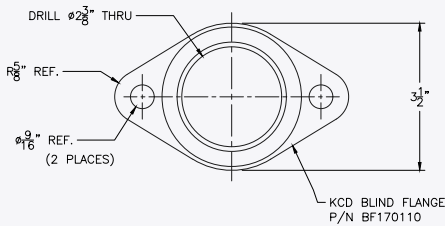
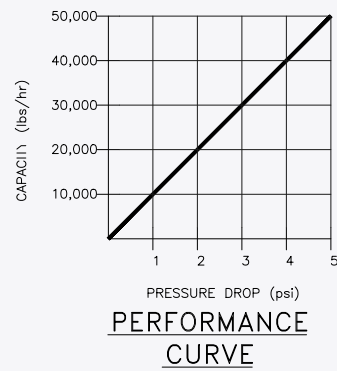
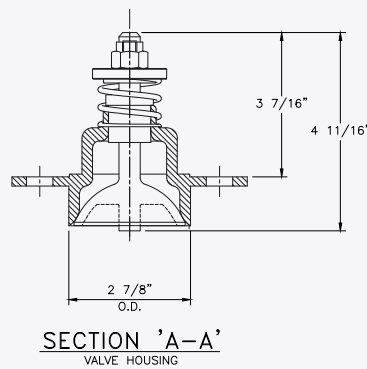
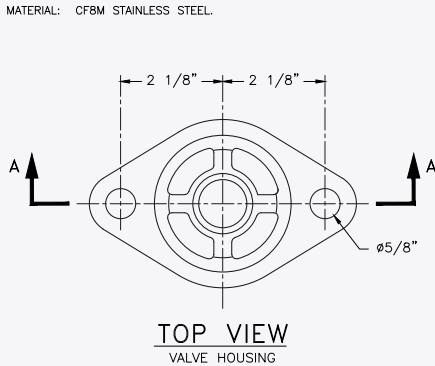


# DEAERATOR SOLUTIONS.COM

CELL (913) 384-2500 | INFO@DEAERATORSOLUTIONS.COM

## 2.5" COUPLING SPRAY VALVE

MATERIAL: CF8M STAINLESS STEEL



**Replaces all 2.5" Coupling Spray Valves**

**Materials** 316 SS per HEI

**Flow**  $\leq 35,000$  lb/hr

**Pressure Drop** 0-5 PSI

**Weight** 2.5 lbs.

**Size** 3 in x 3 in x 3 in



PROUD DISTRIBUTOR OF



*Kansas City Deaerator*  
C O M P A N Y

www.deaerator.com