

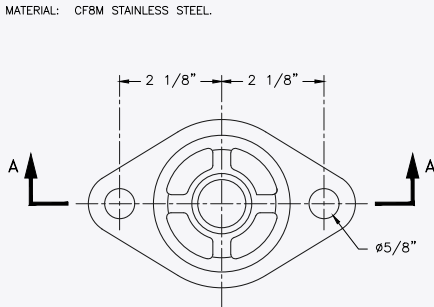


DEAERATOR SOLUTIONS.COM

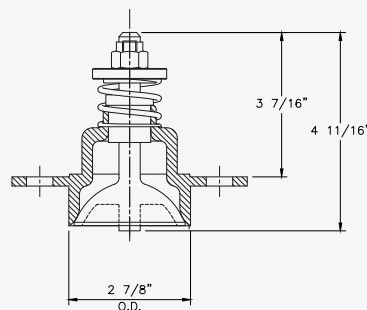
CELL (913) 384-2500 | INFO@DEAERATORSOLUTIONS.COM

2.5" THREADED SPRAY VALVE

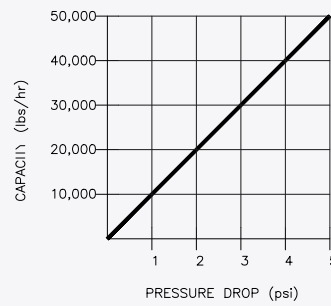
MATERIAL: CF8M STAINLESS STEEL



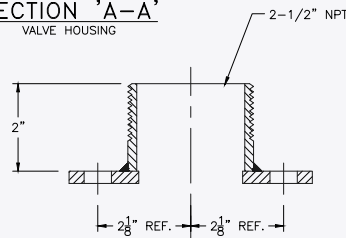
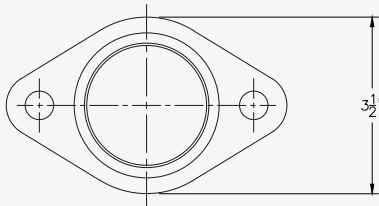
TOP VIEW
VALVE HOUSING



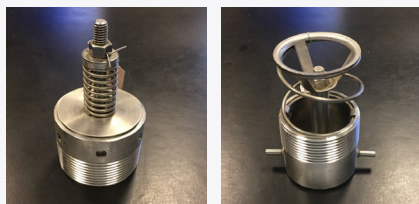
SECTION 'A-A'
VALVE HOUSING



PERFORMANCE
CURVE



PART NUMBER
AT2.5-BF170110-XXX-X
MANUFACTURER
MATERIAL



Replaces all 2.5" Threaded Spray Valves (including: Great Lakes Deaerator, ASC, Newterra-Crane Accuspray, Empro, LA Water, BELCO)

Materials 316 SS per HEI
Flow ≤35,000 lb/hr
Pressure Drop 0-5 PSI
Weight 2.5 lbs.
Size 3 in x 3 in x 3 in



PROUD DISTRIBUTOR OF



Kansas City Deaerator
C O M P A N Y

www.deaerator.com