



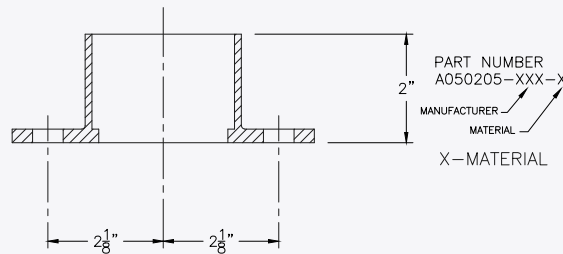
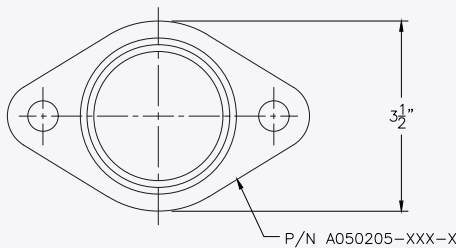
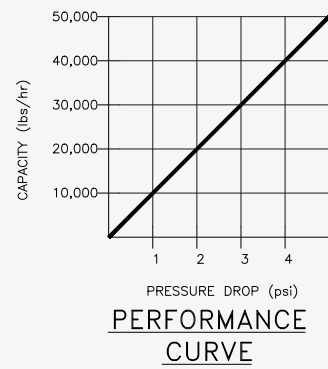
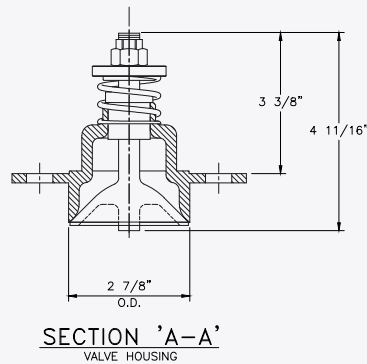
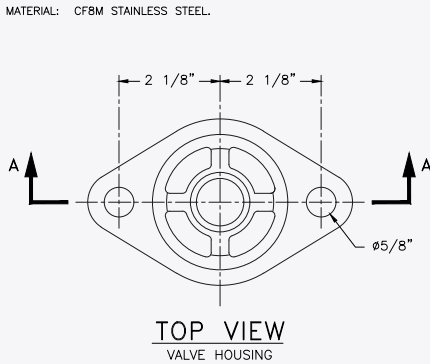
DEAERATOR

SOLUTIONS.COM

CELL (913) 384-2500 | INFO@DEAERATORSOLUTIONS.COM

2.5" WELDED SPRAY VALVE

MATERIAL: CFBM STAINLESS STEEL



Replaces all 2.5" Welded Spray Valves (including: Kansas City Deaerator)

- Materials** 316 SS per HEI
- Flow** ≤35,000 lb/hr
- Pressure Drop** 0-5 PSI
- Weight** 2.5 lbs.
- Size** 3 in x 3 in x 3 in



PROUD DISTRIBUTOR OF



www.deaerator.com