



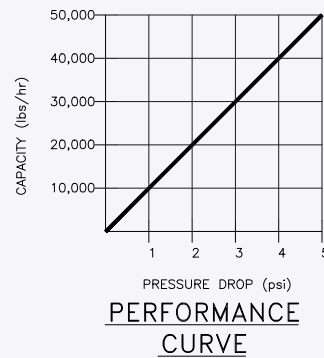
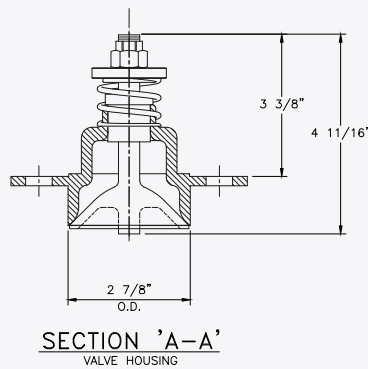
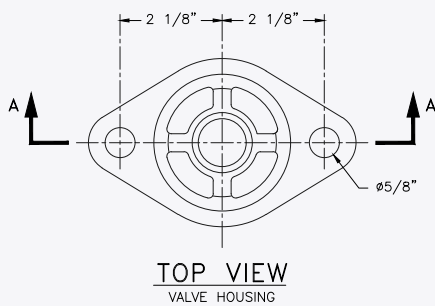
DEAERATOR

SOLUTIONS.COM

OFFICE (913)384-2500 | CELL (913)648-7600 | INFO@DEAERATORSOLUTIONS.COM

2 BOLT SPRAY VALVE

MATERIAL: CFBM STAINLESS STEEL.



Replaces all 2 Bolt Spray Valves (including: Chicago Heater A101: Sterling PN400, PN500: PEMCO 1976, A101: Newterra Crane ACCUSPRAY, A101: Kansas City Deaerator: ASC S105M: PMI A101)

Materials 316 SS per HEI
Flow \leq 35,000 lb/hr
Pressure Drop 0-5 PSI
Weight 2.5 lbs.
Size 3 in x 3 in x 3 in



PROUD DISTRIBUTOR OF



Kansas City Deaerator
C O M P A N Y

www.deaerator.com