



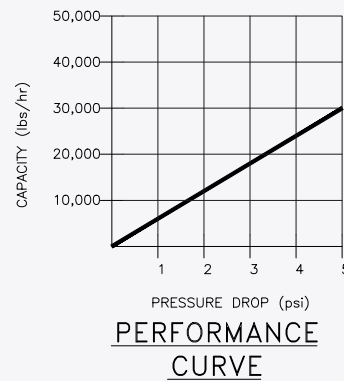
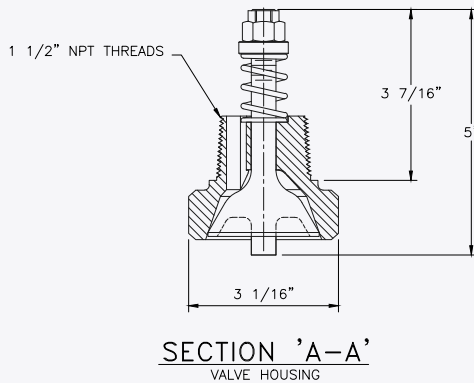
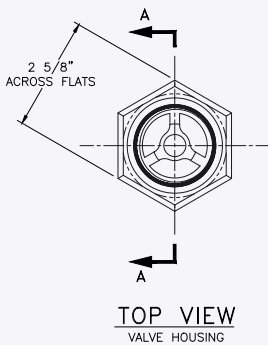
DEAERATOR

SOLUTIONS.COM

CELL (913) 384-2500 | INFO@DEAERATORSOLUTIONS.COM

2" THREADED SPRAY VALVE

MATERIAL: CF8M STAINLESS STEEL



Replaces all 2.0" Threaded Spray Valves (including: Worthington 2" Threaded)

Materials 316 SS per HEI
Flow \leq 35,000 lb/hr
Pressure Drop 0-5 PSI
Weight 2.5 lbs.
Size 3 in x 3 in x 3 in



PROUD DISTRIBUTOR OF



Kansas City Deaerator
C O M P A N Y

www.deaerator.com