



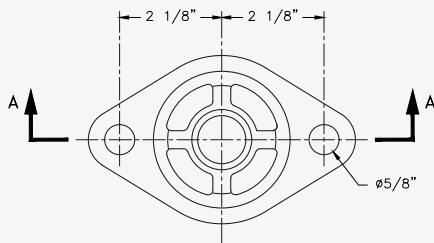
DEAERATOR

SOLUTIONS.COM

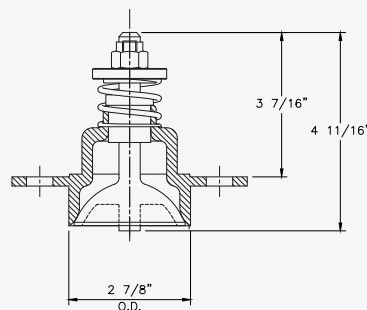
CELL (913) 384-2500 | INFO@DEAERATORSOLUTIONS.COM

3" THREADED SPRAY VALVE

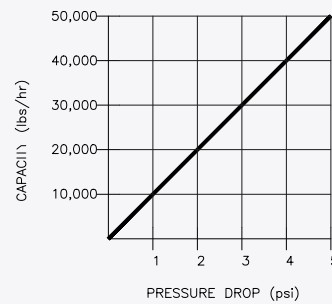
MATERIAL: CF8M STAINLESS STEEL



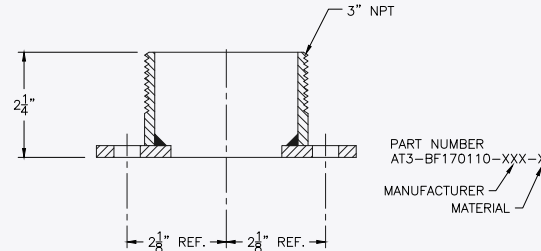
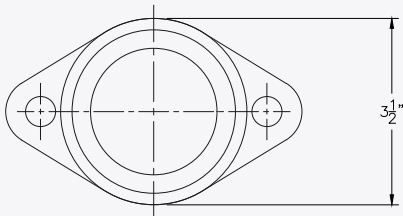
TOP VIEW
VALVE HOUSING



SECTION 'A-A'
VALVE HOUSING



PERFORMANCE
CURVE



Replaces all 3" Threaded Spray Valves (including: Great Lakes Deaerator)

Materials 316 SS per HEI
Flow \leq 35,000 lb/hr
Pressure Drop 0-5 PSI
Weight 2.5 lbs.
Size 3 in x 3 in x 3 in



PROUD DISTRIBUTOR OF



Kansas City Deaerator
C O M P A N Y

www.deaerator.com