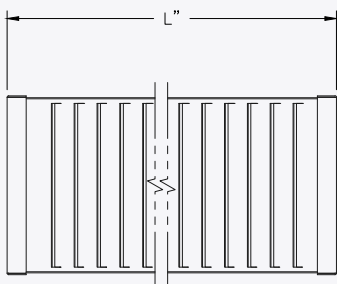




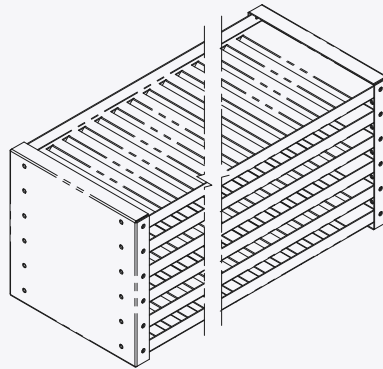
# DEAERATOR SOLUTIONS.COM

OFFICE (913)384-2500 | CELL (913)648-7600 | INFO@DEAERATORSOLUTIONS.COM

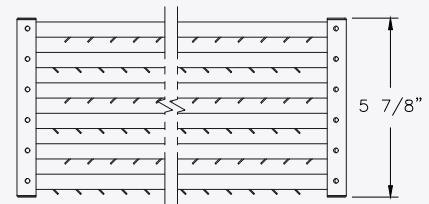
## 6 x 6 x L AIR SEPARATING TRAY



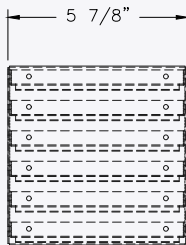
TOP VIEW



ISOMETRIC



FRONT VIEW



END VIEW

FITS:  
GREATLAKES  
AMERICAN WATER SOFTENING  
ENVIREX

NOTE:

L(IN)	PART NO.	MATERIAL	THICKNESS(GA)
36	T36066_00	430 S.S.	22
30	T30066_00	430 S.S.	22
24	T24066_00	430 S.S.	22
18	T18066_00	430 S.S.	22

**Replaces all 6x6xL in Trays (including: Great Lakes Water, Ecolare, and American Water Softening)**

**Materials 430 SS per HEI**  
**Lengths of 18"-24"-30"-36"**



PROUD DISTRIBUTOR OF



*Kansas City Deaerator*  
**COMPANY**

www.deaerator.com