

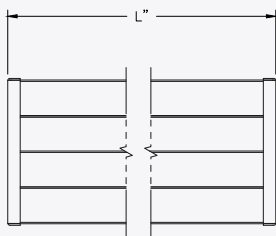


DEAERATOR

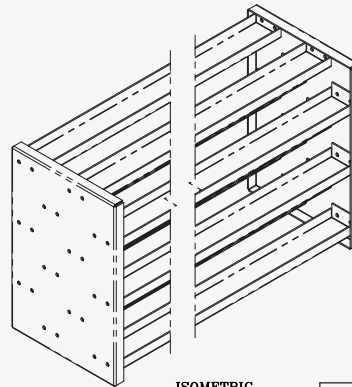
SOLUTIONS.COM

OFFICE (913)384-2500 | CELL (913)648-7600 | INFO@DEAERATORSOLUTIONS.COM

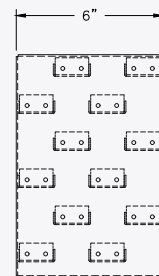
6 x 9 x L HEATING TRAY



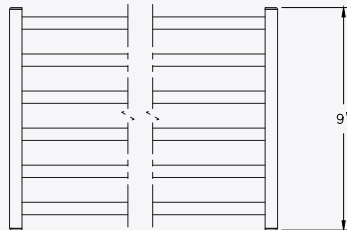
TOP VIEW



ISOMETRIC



END VIEW



FRONT VIEW

FITS:
GREATLAKES
AMERICAN WATER SOFTENING
ENVIREX

NOTE:			
L(IN)	PART NO.	MATERIAL	THICKNESS(GA)
36	T36069_00	430 S.S.	22
30	T30069_00	430 S.S.	22
24	T24069_00	430 S.S.	22
18	T18069_00	430 S.S.	22

Replaces all 6x9xL in Trays (including: Great Lakes Water, Ecolare, and American Water Softening)

Materials 430 SS per HEI
Lengths of 18"-24"-30"-36"



PROUD DISTRIBUTOR OF



Kansas City Deaerator
C O M P A N Y

www.deerator.com